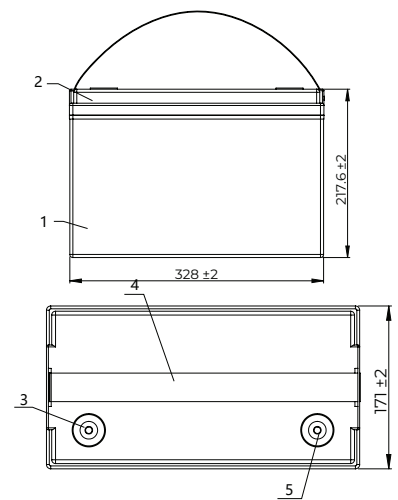


# 12.8V LiFePO<sub>4</sub> Energy Storage Battery



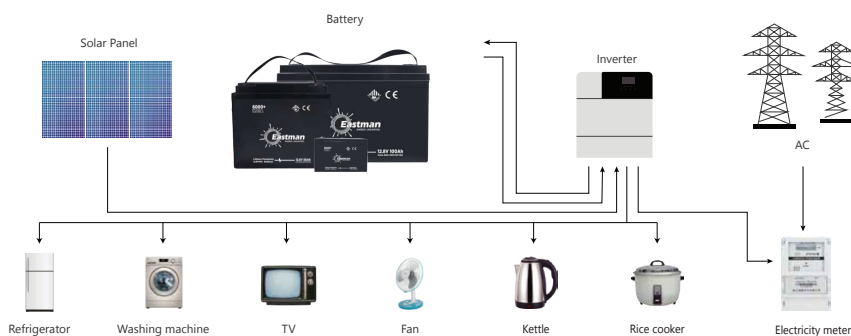
## Features

- 12V LiFePO<sub>4</sub> battery is used grade A LiFePO<sub>4</sub> battery cells.
- 12V Lithium Iron Phosphate battery can be used with 4 series and 8 parallel (max.)
- This type of Lithium batteries has silver plated copper terminal and fireproof shell materials.
- 12V LiFePO<sub>4</sub> battery has IP65 waterproof performance
- 12V LiFePO<sub>4</sub> battery has long cycles life (more than 6000times), High energy density and more environmentally friend.



1	Box cover	3	M6 Positive terminal (2pcs)
2	Box cover	4	Rope
5	M6 Negative terminal (2pcs)		

## Product application diagram





## Parameters

Model	EM12.8-6LPH	EM12.8-8LPH	EM12.8-50LPH	EM12.8-50LPS	EM12.8-100LPH	EM12.8-100LPS
Nominal Voltage	12.8V	12.8V	12.8V	12.8V	12.8V	12.8V
Nominal Capacity	6Ah	8Ah	50Ah	50Ah	100Ah	100Ah
Efficiency	≥96%	≥96%	≥96%	≥96%	≥96%	≥96%
Cell Type	LiFePO4	LiFePO4	LiFePO4	LiFePO4	LiFePO4	LiFePO4
Charge Voltage	14.6V	14.6V	14.6V	14.6V	14.6V	14.6V
Standard Charging Current	1.2A	1.6A	10A	10A	20A	20A
Max.Continuous Charging Current	7.5A	7.5A	50A	50A	100A	100A
Standard Discharge Current	3A	4A	25A	25A	50A	50A
Continuous Discharge Current	7.5A	7.5A	50A	50A	100A	100A
Peak Discharge Current	30±10A (10ms)	30±10A (10ms)	100±50A (0.3s)	100±50A (0.3s)	200±80A (0.3s)	200±80A (0.3s)
Discharge Cut-off Voltage	10V	10V	10V	10V	10V	10V
Charge Temperature Range	0~60°C	0~60°C	0~60°C	0~60°C	0~60°C	0~60°C
Discharge Temperature Range	-10°C~65°C	-10°C~65°C	-10°C~65°C	-10°C~65°C	-10°C~65°C	-10°C~65°C
Storage Temperature Range	-5~40°C	-5~40°C	-5~40°C	-5~40°C	-5~40°C	-5~40°C
Storage Humidity	65±20 %HR	65±20 %HR	65±20 %HR	65±20 %HR	65±20 %HR	65±20 %HR
Size(L×W×H)	90*72*108mm	151*65*94mm	195*166*170mm	195*166*170mm	330*173*216mm	330*173*216mm
Package Size (L×W×H)	375*235*155mm	335*235*143mm	212*186*207mm	212*186*207mm	347*192*265mm	347*192*265mm
Shell Material	plastic	plastic	plastic	plastic	plastic	plastic
Net Weight	~0.9kg	~1.0kg	~6kg	~6kg	~10kg	~10kg
Gross Weight	~0.95kg	~1.05kg	~6.3kg	~6.3kg	~10.3kg	~10.3kg
Package Method	8pcs per carton	6pcs per carton	1pcs per carton	1pcs per carton	1pcs per carton	1pcs per carton
Cycle Life	80% DOD, ≥6000 times	80% DOD, ≥6000 times	80% DOD, ≥6000 times	80% DOD, ≥6000 times	80% DOD, ≥6000 times	80% DOD, ≥6000 times
Self Discharge	4% per month	4% per month	3% per month	3% per month	2% per month	2% per month
SOC Indication	can be customized	can be customized	can be customized	can be customized	can be customized	can be customized
Communication Mode	can be customized	can be customized	can be customized	Bluetooth	can be customized	Bluetooth

Model	EM12.8-150LPH	EM12.8-150LPS	EM12.8-36LPH	EM12.8-36LPS	EM12.8-230LPH	EM12.8-230LPS
Nominal Voltage	12.8V	12.8V	12.8V	12.8V	12.8V	12.8V
Nominal Capacity	150Ah	150Ah	36Ah	36Ah	230Ah	230Ah
Efficiency	≥96%	≥96%	≥96%	≥96%	≥96%	≥96%
Cell Type	LiFePO4	LiFePO4	LiFePO4	LiFePO4	LiFePO4	LiFePO4
Charge Voltage	14.6V	14.6V	14.6V	14.6V	14.6V	14.6V
Standard Charging Current	30A	30A	7.2A	7.2A	46A	46A
Max.Continuous Charging Current	100A	100A	30A	30A	100A	100A
Standard Discharge Current	75A	75A	18A	18A	100A	100A
Continuous Discharge Current	100A	100A	30A	30A	100A	100A
Peak Discharge Current	200±80A (0.3ms)	200±80A (0.3ms)	80±40A (0.3ms)	80±40A (0.3ms)	200±80A (0.3ms)	200±80A (0.3ms)
Discharge Cut-off Voltage	10V	10V	10V	10V	10V	10V
Charge Temperature Range	0~60°C	0~60°C	0~60°C	0~60°C	0~60°C	0~60°C
Discharge Temperature Range	-10°C~65°C	-10°C~65°C	-10°C~65°C	-10°C~65°C	-10°C~65°C	-10°C~65°C
Storage Temperature Range	-5~40°C	-5~40°C	-5~40°C	-5~40°C	-5~40°C	-5~40°C
Storage Humidity	65±20 %HR	65±20 %HR	65±20 %HR	65±20 %HR	65±20 %HR	65±20 %HR
Size(L×W×H)	483*170*240mm	483*170*240mm	195*166*170mm	195*166*170mm	532*207*215mm	532*207*215mm
Package Size (L×W×H)	505*190*270mm	505*190*270mm	212*186*207mm	212*186*207mm	552*228*240mm	552*228*240mm
Shell Material	plastic	plastic	plastic	plastic	plastic	plastic
Net Weight	~16g	~16g	~4.4kg	~4.4kg	~20.2kg	~20.2kg
Gross Weight	~16.3kg	~16.3kg	~5.0kg	~5.0kg	~22kg	~22kg
Package Method	1pcs per carton	1pcs per carton	1pcs per carton	1pcs per carton	1pcs per carton	1pcs per carton
Cycle Life	80% DOD, ≥6000 times	80% DOD, ≥6000 times	80% DOD, ≥6000 times	80% DOD, ≥6000 times	80% DOD, ≥6000 times	80% DOD, ≥6000 times
Self Discharge	2% per month	2% per month	2% per month	2% per month	2% per month	2% per month
SOC Indication	can be customized	can be customized	can be customized	can be customized	can be customized	can be customized
Communication Mode	can be customized	Bluetooth	can be customized	Bluetooth	can be customized	Bluetooth