



The **WISE** Choice

EASTMAN WORLD

Welcome to Eastman World - Your Global Partner in Energy Solutions!



MPPT CHARGE CONTROLLER ECO

MPPT SCC 40A | 60A | 80A | 100A

Eastman Introduction

Founded in 2006

Established in 2006, Eastman Auto & Power Limited is a well-known name in the field of solar energy, energy storage, and power electronics, boasting a USD 300 million revenue and a dedicated workforce of over 3,000 professionals. Building on the group's decades-long success and maintaining the trust of our partners, Mr. Jagdish Rai Singal ventured into the future of energy with Eastman Auto & Power Limited. Today, the business spans over 25 countries across Asia, Africa, Middle East, and Europe and provides the world with cutting-edge products that have set new benchmarks in their respective segments. Driven by innovation, we continually set industry standards, ensuring uninterrupted power supply for residential, commercial, and industrial applications.

Our global solar distribution business provides reliable and high-quality solar solutions, including solar inverters, solar panels, solar batteries (carbon, gel, lithium, and tubular), solar pump inverters, solar charge controllers, and more. Our products offer a range of solutions to help you make the switch to clean energy. With us as your unwavering partners, we forge a sustainable future, amplifying global excellence through transformative products and services.





**SOLAR
CHARGE CONTROLLER**

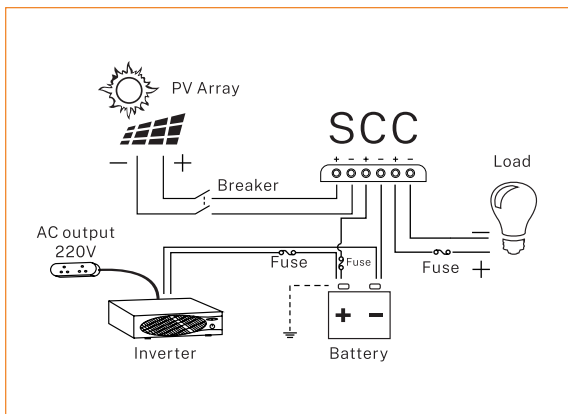
MPPT CHARGE CONTROLLER-ECO

40A | 60A | 80A | 100A

Introduction

Eastman MPPT Solar Charge Controller is a high-performance device designed to efficiently convert solar energy into usable power for charging batteries. With its Maximum Power Point Tracking (MPPT) technology, this controller can maximize the energy harvested from solar panels, ensuring optimal charging efficiency. Suitable for both residential and commercial solar systems, this MPPT Solar Charge Controller is a reliable and essential component for maximizing the performance of your solar power setup.

Solar Energy System Wiring Diagram



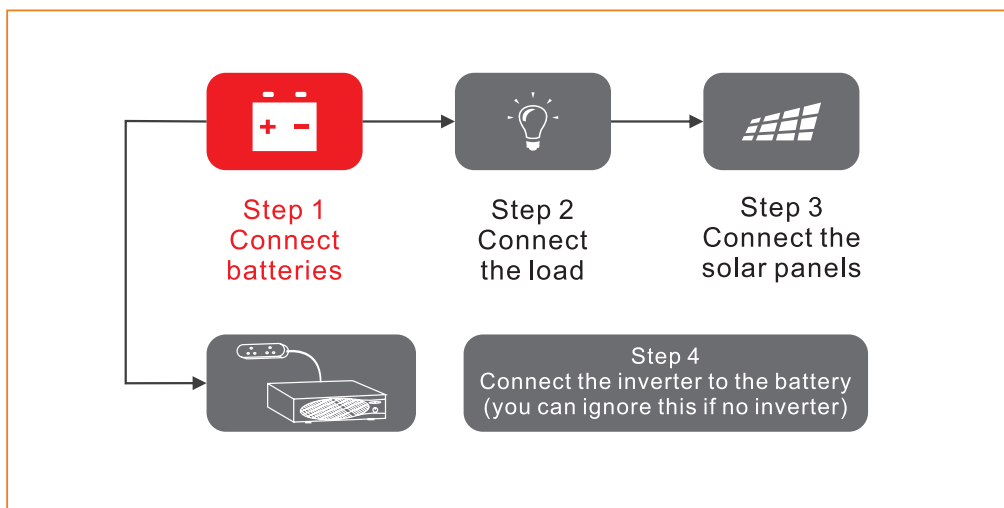
Product Features

- Advanced MPPT technology, fast and stable track the Maximum Power Point, tracking accuracy 99.00%.
- Adopt Synchronous Rectifier Technology, significantly improve the transfer efficiency of circuit, maximum 97.00%.
- 12/24VDC system voltage automatic recognition.
- Humanized LCD displaying, dynamic display operation data and working state.
- Temperature Compensation Function.

Certifications



Perform the Following Steps to Connect Cables and Install Them



MPPT CHARGE CONTROLLER-ECO

40A | 60A | 80A | 100A

MODELS	ES40A-ECO 100V-SCC	ES60A-ECO 150V-SCC	ES80A-ECO 200V-SCC	ES100A-ECO 200V-SCC
Battery Type	GEL, SLD,FLD and USR(default), Lithium batteries customization 3.7V*3s,3.7V*4s,3.2V*4s,3.2V*5s	GEL, SLD,FLD and USR(default), Lithium batteries customization 3.7V*3s,3.7V*4s,3.2V*4s,3.2V*5s	GEL, SLD,FLD and USR(default), Lithium batteries customization 3.7V*3s,3.7V*4s,3.2V*4s,3.2V*5s	GEL, SLD,FLD and USR(default), Lithium batteries customization 3.7V*3s,3.7V*4s,3.2V*4s,3.2V*5s
Battery Input Voltage Range	9~15VDC/18~30VDC	9~15VDC/18~30VDC/36~60VDC	9~15VDC/18~30VDC/36~60VDC	9~15VDC/18~30VDC/36~60VDC
Rated Charge Current	40A	60A	80A	100A
Rated Output Current	40A	60A	80A	100A
Display	LCD	LCD	LCD	LCD
Max PV Voc	<100V	<150V	<200V	<200V
Nominal System Voltage	12V/24V (auto)	12/24/48V (auto)	12/24/48V (auto)	12/24/48V (auto)
Max efficiency	97.00%	97.00%	97.00%	97.00%
MPPT Efficiency	99.00%	99.00%	99.00%	99.00%
Cooling	Natural (without Fan)	Natural (without Fan)	Natural (without Fan)	Natural (without Fan)
Self-consumption	≤60mA(12v) ≤50mA(24v)	≤35mA (48V)	≤35mA (48V)	≤35mA (48V)
Temperature compensation	-3mv/°C/2v(Default)	-3mv/°C/2v(Default)	-4mv/°C/2v(Default)	-4mv/°C/2v(Default)
Relative Humidity	≤90%, N.C	≤90%, N.C	≤90%, N.C	≤90%, N.C
Enclosure	IP20	IP20	IP20	IP20
Communication Interface	RS485(RJ45)	RS485(RJ45)	RS485(RJ45)	RS485(RJ45)
Grounding	positive	positive	positive	positive
Operating Temperature	-20~55°C(environment 50°C max current 2hours no derating)	-20~55°C(environment 50°C max current 2hours no derating)	-20~55°C(environment 50°C max current 2hours no derating)	-20~55°C(environment 50°C max current 2hours no derating)
Dimension	215*145*75	188*280*94	265*179*100	340*200*115
Netweight	1.318kg	2.8kg	3kg	4kg
Warranty	3 Years	3 Years	3 Years	3 Years
Optional accessories	Wifi/Bluetooth	Wifi/Bluetooth	Wifi/Bluetooth	Wifi/Bluetooth
VOLTAGE				
MPPT Voltage Range	15~80VDC/30~80VDC	15~130VDC/30~130VDC/60~ 130VDC	15~170VDC/30~170VDC/60~170VDC	15~170VDC/30~170VDC/60~170VDC
Equilization Voltage	14.6V/29.2V	14.6V/29.2V/58.4V	14.6V/29.2V/58.4V	14.6V/29.2V/58.4V
Boost Voltage	Gel:14.2v/28.4v, sealed:14.4v/28.8v, flooded:14.6v/29.2v,	Gel:14.2v/28.4v/56.8v, sealed:14.4v/28.8v/57.6v, flooded:14.6v/29.2v/58.4v,	Gel:14.2v/28.4v/56.8v, sealed:14.4v/28.8v/57.6v, flooded:14.6v/29.2v/58.4v,	Gel:14.2v/28.4v/56.8v, sealed:14.4v/28.8v/57.6v, flooded:14.6v/29.2v/58.4v
Float Voltage	Gel/sealed/flooded:13.8v,/27.6v	Gel/sealed/flooded:13.8v,/27.6v/55.2v	Gel/sealed/flooded:13.8v,/27.6v/55.2v	Gel/sealed/flooded:13.8v,/27.6v/55.2v
Reconnect voltage	Gel/sealed/flooded:12.6v,/25.2v	Gel/sealed/flooded:12.6v,/25.2v,/50.4v	Gel/sealed/flooded:12.6v,/25.2v,/50.4v	Gel/sealed/flooded:12.6v,/25.2v,/50.4v
Disconnect voltage	Gel/sealed/flooded:10.8v,/21.6v	Gel/sealed/flooded:10.8v,/21.6v,/43.2v	Gel/sealed/flooded:10.8v,/21.6v,/43.2v	Gel/sealed/flooded:10.8v,/21.6v,/43.2v



www.eastmanworld.com
marketing@eastmanworld.com

AMPS MIDDLE EAST FZ LLC

#703 - 704, 7TH Floor, Deira Twin Tower,
Baniyas Square, Deira, Dubai (UAE)

EASTMAN AUTO & POWER LTD.

ASF Towers, 249, Udyog Vihar Phase-4, Gurugram,
Haryana-122016, India

GUANGDONG EASTMAN NEW ENERGY CO., LTD

#1602, Meilan business centre, Intersection of Xixiang Avenue
and Qianjin Second Road, Bao'an, District, Shenzhen-518102, China

Follow us on »  @eastman_world  @EastmanWorld  @EastmanWorld